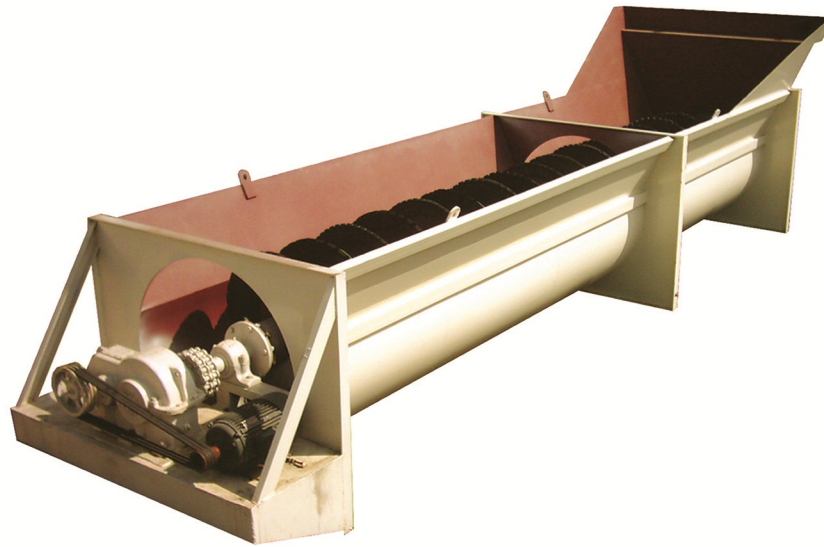


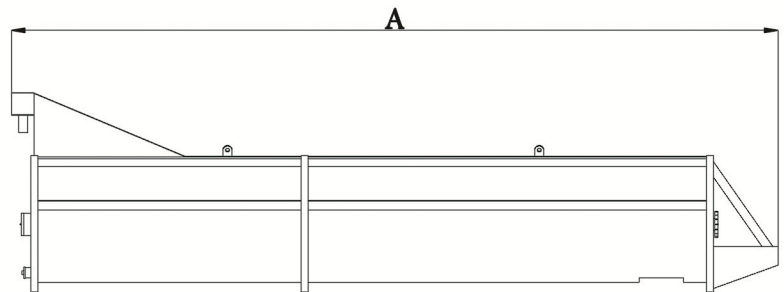
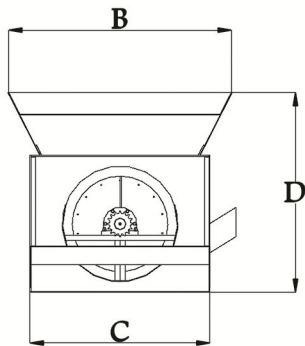
Sand Washing Machine

MAHYAR
CRUSHER CO.



Sand Washing Machine

This product is mainly for sand factory, work-site of building and concrete dam to wash, classifying and de-watering various sands, your material is fully managed from raw feed to quality sand and grit output, with an easily handled final waste. Key features, capable of separating even the most heavily clay bound aggregates: Low wear and maintenance, easily adjusted to accommodate differing materials and feed rates, each model is specified from a wide range according to customers requirements.



TYPE	MCWS7	MCWS9
Power Approx (hp)	20	30
rpm	1400	1400
Weight Approx (kg)	6000	7300
Capacity (T/h)	50~70	70~100
Spiral Diameter (mm)	1250	1250
Tank Length (mm)	7250	9250
Tank Length (mm)	<6	<6
A	9500	11500
B	3500	3500
C	1800	1800
D	2400	2400

Technical data are approximates and should be used as guide only. Capacity and power requirements depend on the type and characteristic of the feed material.